

TSUBAKI YAMAKYU CHAIN CO.

To Whom It May Concern

Notice: Integration and discontinuation of Tsubaki Top Chain products

Thank you very much for your ongoing patronage of Tsubaki products and services.
This is to inform you of the integration and the discontinuation of Tsubaki Plastic Top Chain products.
The details are as follows, and we appreciate your understanding and cooperation in this regard.

1. Applicable products and descriptions

Product	Discontinued	Equivalent	Start	Description
Plastic Top Chains Tsubaki article code: K11	TTPDH1905Y	TTPDH1905-LFB	From April 1 st 2023	Not connectible with each other. Existing sprocket and conveyor frame can be used. Only brown color available. Tsubaki article code of equivalents: K16
	TTPDH1905Y-LFG			
	TTPDH1905Y-WR			
	TTPDH2540Y	TTPDH2540-LFB		
	TTPDH2540Y-LFG			
	TTPDH2540Y-WR			
	TTPDH3048Y	TTPDH3048-LFB		
	TTPDH3048Y-LFG			
TTPDH3048Y-WR				
Sprockets for TTP/TTUP chains Tsubaki article code: K16	TP-C12057NT-SPR	TTP-21T25	Once stock runs out	Can be replaced with each other. Refer to Tsubaki Top Chain and Sprocket catalog for some differences in dimension. Tsubaki article code of equivalents: K15
	TP-C12058NT-SPR	TTP-21T30		
	TP-C12059NT-SPR	TTP-21T35		
	TP-C12060NT-SPR	TTP-21T40		
	TP-C12104NT-SPR	TTP-23T25		
	TP-C12105NT-SPR	TTP-23T30		
	TP-C12106NT-SPR	TTP-23T35		
	TP-C12107NT-SPR	TTP-23T40		
	TP-C12069NT-SPR	TTP-25T25		
	TP-C12070NT-SPR	TTP-25T30		
	TP-C12071NT-SPR	TTP-25T35		
	TP-C12072NT-SPR	TTP-25T40		
	TP-C12400T-SPR	TTUP-12T25		
	TP-C12711T-SPR	TTUP-12T30		
	TP-C12401T-SPR	TTUP-12T35		
TP-C12402T-SPR	TTUP-12T40			
Bearing Units (Square Flange Unit) Tsubaki article code: K16	TP-C50205ART-UCF	TP-C50205VREC-UCFQ	From April 1 st 2023	Refer to Appendix for the specification changes. Starting date may be moved forward depending on the number of stocks.
	TP-C50206RT-UCF	TP-C50206VREC-UCFQ		
	TP-C50207NT-UCF	TP-C50207VREC-UCFQ		
	TP-C50208FRT-UCF	TP-C50208VREC-UCFQ		
	TP-C55205ART-UCF	TP-C55205VREC-UCFQ		
	TP-C55206RT-UCF	TP-C55206VREC-UCFQ		
	TP-C55207NT-UCF	TP-C55207VREC-UCFQ		
	TP-C55208FRT-UCF	TP-C55208VREC-UCFQ		
	TP-C83433-GNP			

2. Contact

Tsubaki Yamakyu Chain Co.
Top Chain Products Department

Best regards,



Katsutoshi Shibayama, Director,
Chain Division,
Tsubaki Yamakyu Chain Co.

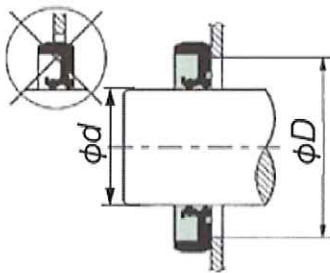
【Appendix】 Important notice regarding equivalent bearing unit

■ Tsubaki model number

Type	Bore dia.(φ)	Discontinued 【Tsubaki model number】	➔	Equivalent 【Tsubaki model number】
Closed	25	TP-C50205ART-UCF	➔	TP-C50205VREC-UCFQ
	30	TP-C50206RT-UCF	➔	TP-C50206VREC-UCFQ
	35	TP-C50207NT-UCF	➔	TP-C50207VREC-UCFQ
	40	TP-C50208FRT-UCF	➔	TP-C50208VREC-UCFQ
Open	25	TP-C55205ART-UCF	➔	TP-C55205VREC-UCFQ
	30	TP-C55206RT-UCF	➔	TP-C55206VREC-UCFQ
	35	TP-C55207NT-UCF	➔	TP-C55207VREC-UCFQ
	40	TP-C55208FRT-UCF	➔	TP-C55208VREC-UCFQ
Stainless-made grease nipple			➔	TP-C83433-GNP

■ Installation of housing(Hole diameter)

Installation of housing should be changed when replacing discontinued product with equivalent.
Hole diameter should be changed so as to make sure the sealed part of the housing should be covered.



□ Discontinued Products

Bore: <i>d</i>	<i>D: min</i>	<i>D: max</i>
25	35	45
30	45	55
35	50	60
40	55	70

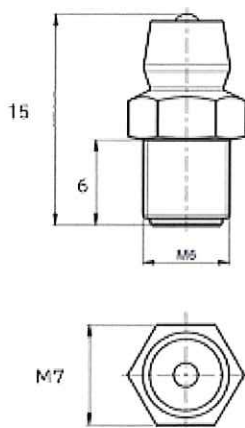


■ Equivalent Products

Bore: <i>d</i>	<i>D: min</i>	<i>D: max</i>
25	29	31
30	36	42
35	41	47
40	46	47

■ Grease nipple

Grease nipple equipped with the equivalent product is made of nickel-plating brass.
Stainless-made grease nipple will be available with Tsubaki model number, TP-C83433-GNP.

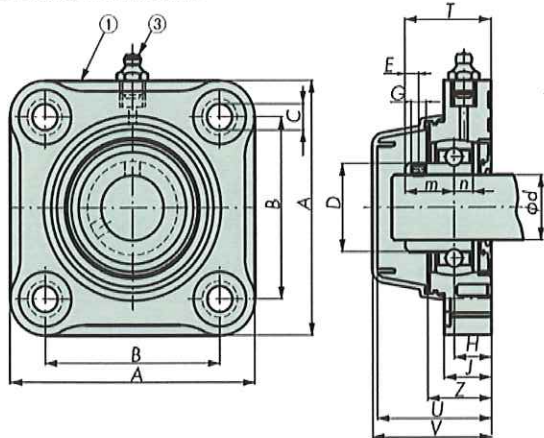


Grease nipple: Stainless-made
Tsubaki model no.: TP-C83433-GNP

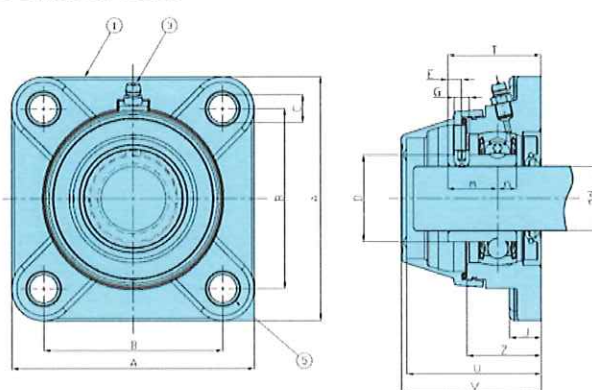


■ Differences in dimension between discontinued products and their equivalents

□ Discontinued Products



■ Equivalent Products



■ Differences in dimension between discontinued products and their equivalents

Differences: Red figures

□ Discontinued Products

Tsubaki model number		Bore ϕd	Dimension													Basic Load Rating: Bearing (kN)		Max. Allowable Load(kN)	Approx. Mass (kg)	
Closed Type	Open Type		A	B	C	D	E	G	H	J	Z	T	m	n	U	V	Basic Dynamic Load Rating Cr			Basic Static Load Rating Cor
TP-C50205ART-UCF	TP-C55205ART-UCF	25	98	70	11	34	5.5	M6	15	19	25	34.5	19.5	7.5	50	52	10.8	7.8	13	0.42
TP-C50206RT-UCF	TP-C55206RT-UCF	30	110	83	11	40.3	6	M6	18	25	31	40	22	8	53	55	15	11.3	13	0.59
TP-C50207NT-UCF	TP-C55207NT-UCF	35	118	92	14	48	6.5	M8	20	25	35	43.5	23.5	8.5	67	69	19.7	15.3	13	0.9
TP-C50208FRT-UCF	TP-C55208FRT-UCF	40	130	101.5	14	53	7	M8	20	25	35	45	25	9	67	69	22.4	17.9	12.5	0.98

■ Equivalent Products

Tsubaki model number		Bore ϕd	Dimension													Basic Load Rating: Bearing (kN)		Max. Allowable Load(kN)	Approx. Mass (kg)	
Closed Type	Open Type		A	B	C	D	E	G	H	J	Z	T	m	n	U	V	Basic Dynamic Load Rating Cr			Basic Static Load Rating Cor
TP-C50205VREC-UCFQ	TP-C55205VREC-UCFQ	25	95	70	11	34	5.5	M6	-	12.5	29	36.5	19.5	7.5	52	54	10.8	7.8	11.5	0.3
TP-C50206VREC-UCFQ	TP-C55206VREC-UCFQ	30	108	83	11	40.3	6.5	M6	-	12.5	29	36.5	22	8	51	53	15	11.3	11	0.5
TP-C50207VREC-UCFQ	TP-C55207VREC-UCFQ	35	118	92	14	48	6.5	M8	-	16	33	41.5	23.5	8.5	64	66	19.7	15.3	10.5	0.6
TP-C50208VREC-UCFQ	TP-C55208VREC-UCFQ	40	130	101.5	14	53	7	M8	-	16	35	43	25	9	63	65	22.4	17.9	10	0.8