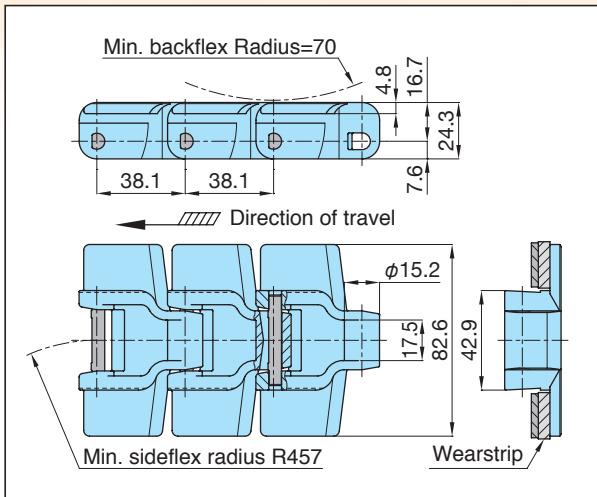


TSUBAKI PLASTIC TOP CHAIN TTUP826-LLPC

This is a greatly enhanced chain for uplift prevention by lowering the center of gravity



Drawing



Model Numbering

Chain type Plate width Chain type Chain material

TTUP 826 – LLPC – NLF

Note: Do not leave spaces between letters and symbols.

Material

Material	Low Friction/Anti-Wear				Ultra Low Friction
	Material Mark	LFW	LFG	LFB	NLF
Link color	White	Green	Brown	Darkgray	Blue
Max, allowable load kN (kgf)	1.08 (110)				
Max, allowable speed m/min	With lube	100			
	No lube	50			
Operating temperature range °C	-20~(65)80				
TTUP826-LLPC	○	○	○	●	○

Note: 1. 「●」: Standard, 「○」: Made-to-order product
Contact a Tsubaki representative for further information.
2. Operating temperature of (65) is for wet conditions.

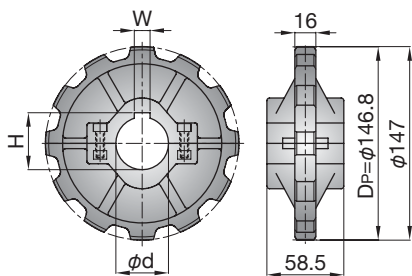
Chain(Stainless Steel Pins)

Material	Low Friction/Anti-Wear				Ultra Low Friction	Approx.mass kg/m
	Material Mark	LFW	LFG	LFB	NLF	
Tsubaki model no.	TTUP826-LLPC-LFW	TTUP826-LLPC-LFG	TTUP826-LLPC-LFB	TTUP826-LLPC-NLF	TTUP826-LLPC-ULF	1.2

Note: Plastic pins are not available.

Split Sprockets(Engineering Plastic)

Sprocket

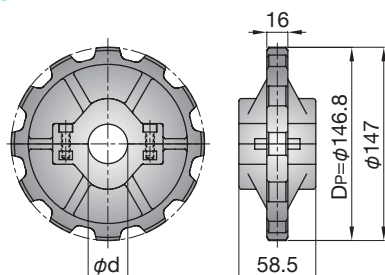


Tsubaki model no.	Teeth	shaft diameter d	Keyway		Approx. max kg	Material		
			W	H		Body	bolt	nut
TP-C12400T-SPR	12	25	8	28.3	0.38	Reinforced polyamide (Color:Black)	Stainless steel	Brass+ nickel plating
TP-C12711T-SPR		30	8	33.3	0.37			
TP-C12401T-SPR		35	10	38.3	0.35			
TP-C12402T-SPR		40	12	43.3	0.35			

- Note: 1. Standard product.
 2. Operating temperature range: -20°C to 80°C
 3. Bolt tightening torque: $6\text{ N}\cdot\text{m}$ (0.61 kgf·m)
 4. When assembling the halves of the sprocket, do not mix the halves with halves from other sprockets.

Steel sprockets are also available upon request.
 Contact a Tsubaki representative for further information.

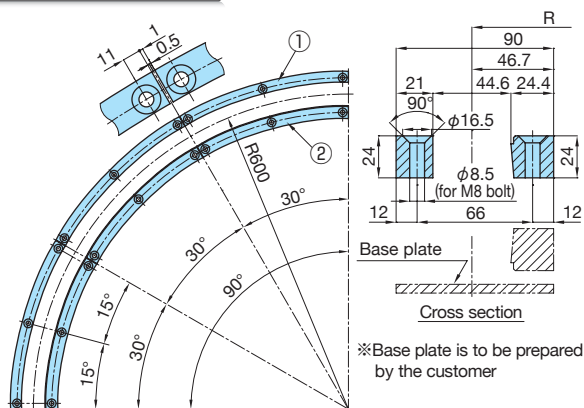
Idler Wheels



Tsubaki model no.	Effective teeth	Shaft diameter d	Approx. mass kg
TP-C12404T-IW	12	30	0.31

- Note: 1. Standard product.
 2. Operating temperature range: -20°C to 80°C
 3. Bolt tightening torque: $6\text{ N}\cdot\text{m}$ (0.61 kgf·m)
 4. When assembling the halves of the sprocket, do not mix the halves with halves from other sprockets.
 5. Material: (Body)Reinforced polyamide, Black (Bolt)Stainless Steel, (Nut)Brass+nickel plating

Corner Rails



No.	Tsubaki model no.	Center radius R mm	Side	Material	Material grades	Color	Arc angle
②	PR-LLPC-R600W-IN30	600	Inside	UHMW-PE	10-100	White	30°
①	PR-LLPC-R600W-OUT30		Outside				
②	PR-LLPC-R600G-IN30	600	Inside	UHMW-PE	10-301	Green	30°
①	PR-LLPC-R600G-OUT30		Outside				

Note: Made-to-order product



TSUBAKIMOTO CHAIN CO.

Headquarters
 Nakanoshima Mitsui Building
 3-3-3 Nakanoshima, Kita-ku
 Osaka 530-0005, Japan
 Phone : +81-6-6441-0011
 Facsimile +81-6-6441-0489
 Internet:
<http://tsubakimoto.com/>

TSUBAKI YAMAKYU CHAIN CO.

Top Chain Products Department
 2-15-16 Takanawa, Minato-ku
 Tokyo 108-0074, Japan
 Phone : +81-3-3445-8512
 Facsimile +81-3-3445-8636
 Internet:
<http://tsubaki-yamakyu.co.jp/>

Global Market Development Department
 2-15-16 Takanawa, Minato-ku
 Tokyo 108-0074, Japan
 Phone : +81-3-3445-8518
 Facsimile +81-3-3445-4330